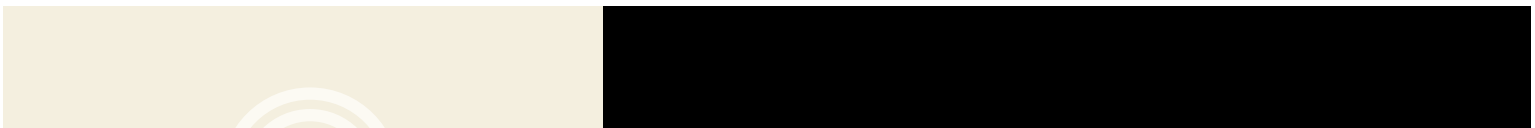
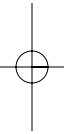


REPREEVE™ screw supplement system



INSERTION

REPREVE™ SCREW SUPPLEMENT SYSTEM



The Repreve™ Screw Supplement System is intended for fixation of fractures in large and small bones. It improves bone screw fixation when it is lost or otherwise compromised without adding significant operative time. Simply drill the hole, seat the implant and advance the screw.

The Repreve™ Screw Supplement is not intended for the attachment of screws or other devices to the posterior elements of the cervical, thoracic or lumbar spine.

The Repreve™ Screw Supplement System is available in two sizes. The large set is compatible with 4.5mm stainless steel cortical screw and plate systems while the small set is compatible with 3.5mm stainless steel cortical screw and plate systems.*

IMPORTANT: It is important to prevent the supplement from rotating during insertion or removal. If the supplement is used with a plate, contact of the oval collar with the oval plate hole prohibits rotation. The plate must be closely applied to the bone to prevent the collar from slipping beneath the plate. A well contoured plate and plate clamps will help achieve this fit. An anti-rotation wrench is included in the set for use when the supplement is inserted or removed without the plate. If necessary, the wrench can slide under the plate but this requires loosening of the plate.

* The Repreve™ Screw Supplement System can be ordered compatible with most major manufacturer's

STEP 1

Select supplement and instruments

The correct supplement and instruments are selected based upon the size and style of plate being utilized.

Large Screw Supplement Set

SUPPLEMENT	DRILL BIT	DRILL GUIDE
For 4.5mm Compression Plate	5.2mm A	SILVER
For 4.5mm Reconstruction Plate	5.2mm B	GOLD

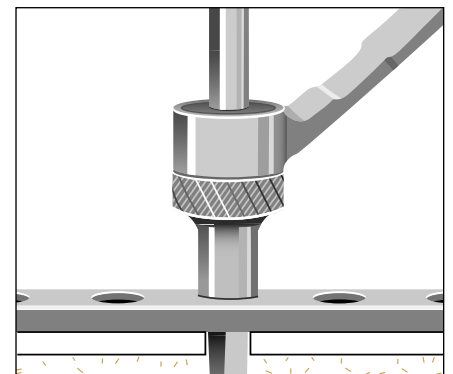
Small Screw Supplement Set

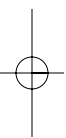
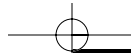
SUPPLEMENT	DRILL BIT	DRILL GUIDE
For 3.5mm Compression Plate	4.2mm	SILVER
For 3.5mm Reconstruction Plate	4.2mm	GOLD
For 3.5mm One-Third Tubular Plate	4.2mm	GOLD

STEP 2

Create drill hole in bone

Once the correct instruments are selected, couple the guide nose with the drill guide handle. Next, load the bit into the drill chuck. Then, center the drill guide hole in the plate and advance the drill bit until the contacts the plate. Please note that the Gold Drill Guide in the small set must be centered on the plate hole by the surgeon. All other drill guides will center automatically.

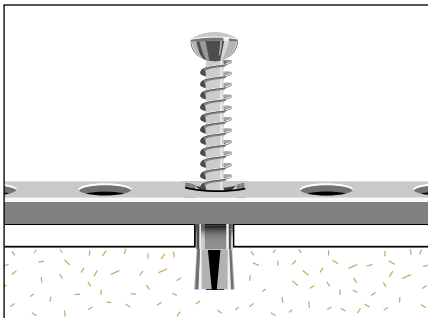
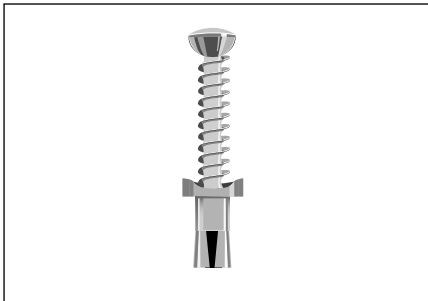




STEP 3

Place supplement into drill hole

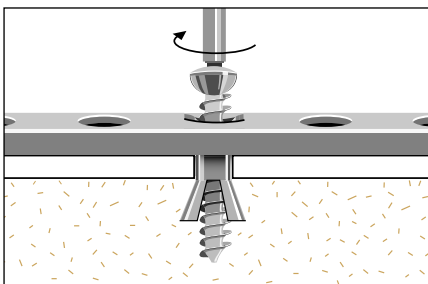
After the drill hole is created, the supplement can be inserted. To facilitate handling of the supplement, thread the supplement onto the cortical screw. The closed position of the supplement will limit advancement of the screw at this point. The screw then acts as a handle to ease the supplement into the drill hole.



STEP 4

Advance and seat screw

When the supplement is fully situated in the drill hole, the screw is advanced until it is fully seated against the plate. **IMPORTANT:** Do not allow the supplement to rotate beneath the plate during screw insertion. Also, if the screw does not align with the drill hole in the far cortex, it may elevate the supplement. If this begins to happen, the screw should be removed. Leave the supplement in the bone and recheck the screw length and direction.



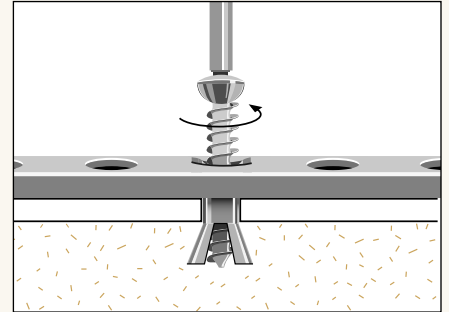
REMOVAL

If it is necessary to remove the supplement, please follow the steps below.

STEP 1

Remove cortical screw

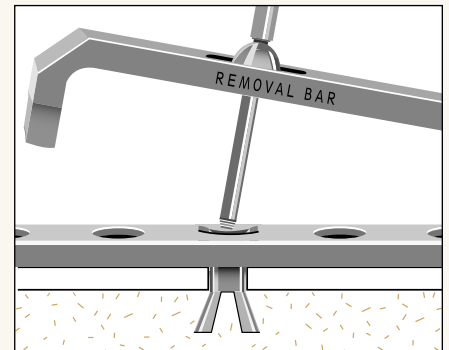
Completely remove the cortical screw from the supplement. **IMPORTANT:** Do not allow the supplement to rotate beneath the plate during screw removal.



STEP 2

Use removal screw and removal bar

Place the removal screw through the slot in the removal bar. Next, thread the removal screw into the supplement. The screw driver from the cortical screw set can be used in the head of the removal screw.



STEP 3

Lever supplement out of the bone

The removal screw and removal bar allow the surgeon to remove the supplement from the bone by utilizing a levering action. This avoids placing undue force on the



IMPLANTS AND INSTRUMENTATION

LARGE SCREW SUPPLEMENT SET

Name	Part Number
4.5mm Compression Plate Supplement	069.01
4.5mm Reconstruction Plate Supplement	069.02
Drill Guide Handle	100.03
Drill Guide Nose - 5.2mm - SILVER	DGN.069.01
Drill Guide Nose - 5.2mm - GOLD	DGN.069.02
5.2mm Bit A	100.02
5.2mm Bit B	100.025
Anti-Rotation Wrench - Large	300.01L
Removal Screw - Large	200.02
Removal Bar - Large	200.03L
Container Lid Assembly - Large	500.01L

SMALL SCREW SUPPLEMENT SET

Name	Part Number
3.5mm Compression Plate Supplement	049.01
3.5mm Reconstruction Plate Supplement	049.02
3.5mm One-Third Tubular Plate Supplement	049.03
Drill Guide Handle	100.03
Drill Guide Nose - 4.2mm - SILVER	DGN.049.01
Drill Guide Nose - 4.2mm - GOLD	DGN.049.02
4.2mm Bit	100.01
Anti-Rotation Wrench - Small	300.01S
Removal Screw - Small	200.01
Removal Bar - Small	200.03S
Container Lid Assembly - Small	500.01S

